

Flygt 2830.180

Table of Contents

1	Introduction.....	2
1.1	Specially approved products.....	2
2	Product Description.....	3
2.1	Products included.....	3
2.2	The data plate.....	3
2.3	Product denomination.....	3
3	Spare Parts.....	5
3.1	Exploded view.....	5
3.2	List of parts.....	6

1 Introduction

Purpose of this manual

The purpose of this manual is to provide necessary information on spare parts and accessories order.

Disclaimer

Always use genuine Flygt parts. The use of other spare parts or accessories can invalidate any claims for warranty or compensation. Xylem does not take any responsibility for damages that are caused by the use of non-original parts. For more information, contact your local sales and service representative.

Data for ordering spare parts

The following information is needed for spare part orders:

- Serial number of the product
- Part number
- Quantity of bulk material, see * in tables

1.1 Specially approved products

Qualification of personnel

Only Xylem or Xylem-authorized service personnel may undertake repair work on specially approved products.

Dimensional accuracy inspection

Spare parts marked with (Ex) after the part number are subject to dimensional accuracy inspection when used in specially approved products.

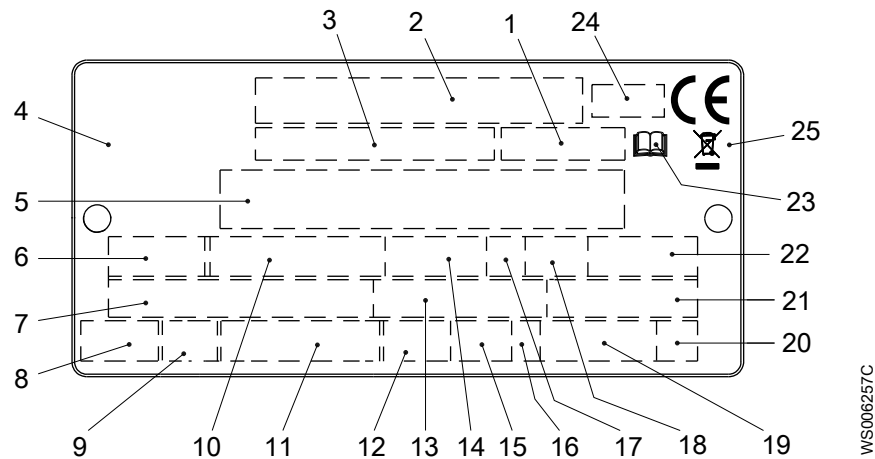
2 Product Description

2.1 Products included

Pump model	Standard	Ex-proof	MSHA	Drainage	Sludge	Pareo™
2830.180	X			X		X

2.2 The data plate

The data plate is a metal label that is located on the main body of the products. The data plate lists key product specifications. Specially approved products also have an approval plate.



1. Curve code or Propeller code
2. Serial number
3. Product number
4. Country of origin
5. Additional information
6. Phase; type of current; frequency
7. Rated voltage
8. Thermal protection
9. Thermal class
10. Rated shaft power
11. International standard
12. Degree of protection
13. Rated current
14. Rated speed
15. Maximum submergence
16. Direction of rotation: L=left, R=right
17. Duty class
18. Duty factor
19. Product weight
20. Locked rotor code letter
21. Power factor
22. Maximum ambient temperature
23. Read installation manual
24. Notified body, only for EN-approved Ex products
25. WEEE-Directive symbol

Figure 1: The data plate

2.3 Product denomination

Reading instruction

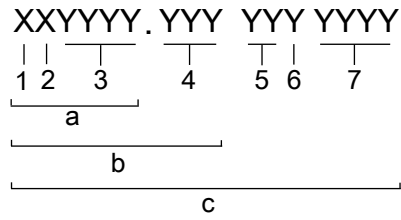
In this section, code characters are illustrated accordingly:

X = letter

Y = digit

The different types of codes are marked up with a, b and c. Code parameters are marked up with numbers.

Codes and parameters

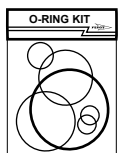
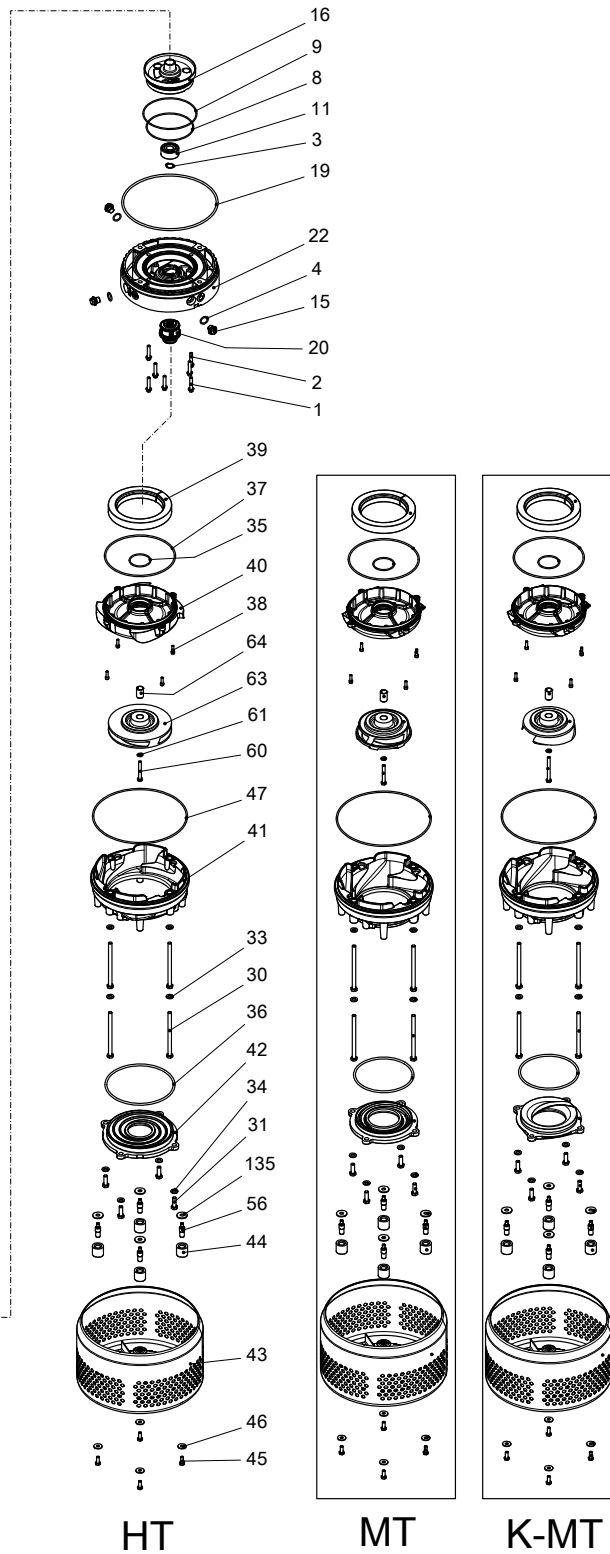
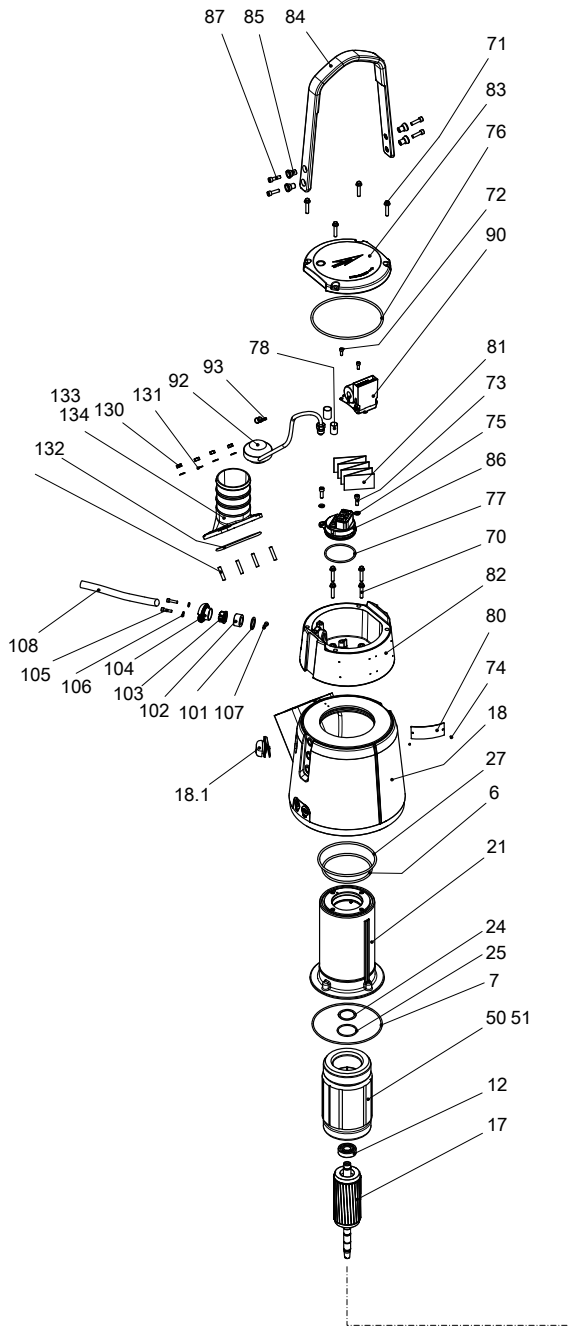


WS006265B

Type of Callout	Number	Indication
Type of code	a	Sales denomination
	b	Product code
	c	Serial number
Parameter	1	Hydraulic end
	2	Type of installation
	3	Sales code
	4	Version
	5	Production year
	6	Production cycle
	7	Running number

3 Spare Parts

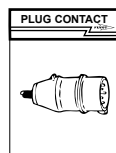
3.1 Exploded view



800



900



120

20151C_expl_view_2830_2840_180

3.2 List of parts

Pos. No	Part. No	Type	Denomination	Qty/Version
				180
1	81 64 92		Hexagon flange screw M8X40-A2-70	4
2	81 64 92		Hexagon flange screw M8X40-A2-70	3
3	82 58 92		Retaining ring SGA 20	1
4	82 72 95		O-ring 19.2X3 FPM	3
6	82 74 19		O-ring 134.3X5.7 NBR	1
7	82 78 29		O-ring 192.0X4.0 NBR	1
8	82 74 79		O-ring 129.5X3 NBR	1
9	82 74 82		O-ring 144.5X3.0 NBR	1
10	83 00 39		Stud	4
11	83 30 14		Ball bearing 20X52X22.2 MM	1
12	83 33 13		Ball bearing 20X52X15 MM	1
13	90 17 52		Oil ISO VG 32	*
15	428 22 17		Inspection screw BRASS	3
16	693 39 00		Bearing housing	1
17	647 84 03	(Ex)	Shaft unit	1
18	774 24 00		Outer casing	1
19	82 74 99		O-ring 259.3X5.7 NBR	1
20	769 94 30		Mechanical seal dbl. AL203/WCCR,WCCR/WCCR FPM	1
20,1	82 68 45		Retaining ring	1
21	774 12 01		Stator housing	1
22	774 89 00		Adapter	1
23	706 11 00		Air release valve	1
24	82 56 24		Spring washer	1
25	82 79 28		O-ring 52.5X3.0 FPM	1
27	82 74 85		O-ring 159.3X5.7 NBR	1
30	81 41 20		Hexagon head screw M10X150 A2-70	4
31	81 41 32		Hexagon head screw M10X30-A2-70	4
33	82 35 76		Plain washer 10.5X20X2-A4-170HV	4
34	82 35 76		Plain washer 10.5X20X2-A4-170HV	4
35	82 75 19		O-ring 54.5X3 FPM	1
36	82 74 85		O-ring 159.3X5.7 NBR	MT
36	82 74 90		O-ring 184.3X5.7 NBR	HT
37	82 71 34		O-ring 192X4.0 FPM	1
38	83 02 77		Hex.socket hd screw M6X20-A4-70	4
39	83 94 68		Pressure equalizer L=510 MM	1
40	693 45 00		Seal housing cov.coa	MT
40	693 44 00		Seal housing cov.coa	HT

Pos. No	Part. No	Type	Denomination	Qty/Version	
					180
41	693 49 00		Diffuser coat. NBR	MT	1
41	774 70 00		Diffuser coat. PU	MT	1
41	693 47 00		Diffuser coat. NBR	HT	1
41	774 71 00		Diffuser coat. PU	HT	1
42	693 55 00		Suction cover	MT B Material suction cover: Hard iron	1
42	693 53 00		Suction cover	MT K Material suction cover: NBR	1
42	693 54 00		Suction cover	HT B Material suction cover: Hard iron	1
42	739 66 00		Suction cover	HT B Material suction cover: Stainless steel	1
43	826 28 03		Strainer		1
44	784 84 00		Damper		4
45	81 41 04		Hexagon head screw M8X20- A2-70		4
46	81 79 50		Plain washer 8.4X24X2- A4-140HV	MT HT	4
46	82 35 76		Plain washer 10.5X20X2- A4-170HV	MT	4
47	84 69 30		O-ring 260X4 NBR		1
50	647 88 07		Stator 15-12-2b	6-leads 3-phase 60 Hz 2-poles 200V-208V D	1
50	647 88 05		Stator 15-12-2b	6-leads 3-phase 50 Hz 2-poles 220V-240V D 6-leads 3-phase 50 Hz 2-poles 380V-400V Y 6-leads 3-phase 60 Hz 2-poles 440V-480V Y	1
50	647 88 06		Stator 15-12-2b	6-leads 3-phase 50 Hz 2-poles 220V-230V D 380V-400V Y 6-leads 3-phase 60 Hz 2-poles 380V Y 6-leads 3-phase 60 Hz 2-poles 220V-240V D	1
50	647 88 04		Stator 15-12-2b	9-leads 3-phase 60 Hz 2-poles 220V-240V Y// 440V-480V YSER 9-leads 3-phase 60 Hz 2-poles 220V-240V Y// 9-leads 3-phase 60 Hz 2-poles 440V-480V YSER	1
50	647 88 01		Stator 15-12-2b	6-leads 3-phase 50 Hz 2-poles 660V-690V Y 6-leads 3-phase 50 Hz 2-poles 380V-400V D 660V-690V Y 6-leads 3-phase 50 Hz 2-poles 380V-400V D 6-leads 3-phase 60 Hz 2-poles 440V-480V D	1

Pos. No	Part. No	Type	Denomination		Qty/Version
					180
50	647 88 14		Stator 15-12-2b	3-leads 3-phase 50 Hz 2-poles 380V-400V Y 3-leads 3-phase 60 Hz 2-poles 440V-480V Y	1
50	647 88 03		Stator 15-12-2b	6-leads 3-phase 60 Hz 2-poles 380V-400V D	1
50	647 88 11	(Ex)	Stator 15-12-2b	12-leads 3-phase 60 Hz 2-poles 440V-460V DSER 12-leads 3-phase 60 Hz 2-poles 380V-400V Y//	1
50	647 88 02		Stator 15-12-2b	6-leads 3-phase 50 Hz 2-poles 415V-440V D	1
50	647 88 08		Stator 15-12-2b	6-leads 3-phase 50 Hz 2-poles 500V D 6-leads 3-phase 60 Hz 2-poles 575V-600V D	1
50	647 88 15		Stator 15-12-2b	3-leads 3-phase 50 Hz 2-poles 500V Y 3-leads 3-phase 60 Hz 2-poles 575V-600V Y	1
50	647 88 09		Stator 15-12-2b	6-leads 3-phase 50 Hz 2-poles 525V-550V D	1
50	647 88 10		Stator 15-12-2b	6-leads 3-phase 50 Hz 2-poles 1000V Y	1
51	83 44 24		Closed-end splice 3-6 (AWG 12-10)		1-3
56	784 86 00		Holder		4
60	81 56 58		Hexagon head screw M8X60- A4-80	MT HT	1
60	81 56 70		Hexagon head screw M8X80- A4-80	MT	1
61	82 35 16		Plain washer 8.4X16X1.6- A2-140HV		1
63	693 59 02		Impeller	B-impeller MT 50Hz 3-phase Maximum temperature 70 DC Material Hard-Iron TM Curve code: 230 B-impeller MT 50Hz 3-phase Maximum temperature 40 DC Material Hard-Iron TM Curve code: 226	1
63	693 59 04		Impeller	B-impeller MT 60Hz 3-phase Maximum temperature 40 DC Material Hard-Iron TM Curve code: 228 B-impeller MT 60Hz 3-phase Maximum temperature 70 DC Material Hard-Iron TM Curve code: 232	1

Pos. No	Part. No	Type	Denomination	Qty/Version
				180
63	693 63 02		Impeller K-impeller MT 50Hz 3-phase Maximum temperature 40 DC Material Hard-Iron TM Curve code: 234	1
63	693 63 04		Impeller K-impeller MT 50Hz 3-phase Maximum temperature 70 DC Material Hard-Iron TM Curve code: 238 K-impeller MT 60Hz 3-phase Maximum temperature 40 DC Material Hard-Iron TM Curve code: 236 K-impeller MT 60Hz 3-phase Maximum temperature 70 DC Material Hard-Iron TM Curve code: 240	1
63	693 56 00		Impeller B-impeller HT 50Hz 3-phase Maximum temperature 40 DC Material Hard-Iron TM Curve code: 251 B-impeller HT 50Hz 3-phase Maximum temperature 70 DC Material Hard-Iron TM Curve code: 255	1
63	693 56 02		Impeller B-impeller HT 60Hz 3-phase Maximum temperature 70 DC Material Hard-Iron TM Curve code: 257 B-impeller HT 60Hz 3-phase Maximum temperature 40 DC Material Hard-Iron TM Curve code: 253	1
63	739 62 00		Impeller B-impeller HT 50Hz 3-phase Maximum temperature 40 DC Material Stainless steel, castings Curve code: 266 B-impeller HT 50Hz 3-phase Maximum temperature 70 DC Material Stainless steel, castings Curve code: 268	1
63	739 62 02		Impeller B-impeller HT 60Hz 3-phase Maximum temperature 70 DC Material Stainless steel, castings Curve code: 269 B-impeller HT 60Hz 3-phase Maximum temperature 40 DC Material Stainless steel, castings Curve code: 267	1
64	779 89 00		Sleeve unit	1
70	81 64 92		Hexagon flange screw M8X40- A2-70	4
71	81 64 92		Hexagon flange screw M8X40- A2-70	4
72	82 00 13		Hex.socket hd screw M6X16- A2-70	2

Pos. No	Part. No	Type	Denomination	Qty/Version	
				180	
73	82 00 35		Hex.socket hd screw M8X30-A2-70	2	
74	82 20 88		Drive screw 4X5-A2/A4	2	
75	82 35 16		Plain washer 8.4X16X1.6-A2-140HV	2	
76	82 74 92		O-ring 194.3X5.7 NBR	1	
77	82 78 15		O-ring 78X4 NBR	1	
78	94 05 89		Insulating hose D=18 MM	*	
79	773 42 09		Cable set	1	
80	630 68 00	(Ex)	Data plate USE 6306801 AS SPARE PART	1	
81	773 48 05		Connection plate	1	
82	774 21 00		Main cover	1	
83	774 22 00		Cover	1	
83	774 22 01		Cover Float switch	1	
84	774 23 00		Handle	1	
85	774 26 00		Sleeve	4	
86	777 88 00		Terminal plate unit	1	
87	82 00 35		Hex.socket hd screw M8X30-A2-70	4	
90	821 01 00		Sensor unit	Sensor unit DCM 711 50/60Hz 3-phase 0V - 1000V CSA approved Motor cable conductor size max: 16mm ²	1
90	774 90 01		Starter unit	Contacteur unit 50Hz 3-phase 220V - 240V Not CSA approved Contacteur unit 50Hz 3-phase 200V - 208V Float switch Not CSA approved Contacteur unit 50Hz 3-phase 220V - 240V Float switch Not CSA approved Contacteur unit 50Hz 3-phase 200V - 208V - 440V Not CSA approved Contacteur unit 60Hz 3-phase 200V - 208V CSA approved Contacteur unit 60Hz 3-phase 220V - 240V CSA approved	1
90	774 90 02		Starter unit	Contacteur unit 50Hz 3-phase 380V - 400V Not CSA approved Contacteur unit 60Hz 3-phase 380V - 400V Not CSA approved Contacteur unit 50Hz 3-phase 500V - 500V Not CSA approved Contacteur unit 50Hz 3-phase 380V - 400V Float switch Not CSA approved Contacteur unit 50Hz 3-phase 415V - 440V Not CSA approved	1

Pos. No	Part. No	Type	Denomination	Qty/Version
				180
90	774 90 05		Starter unit Contactor unit 60Hz 3-phase 575V - 600V CSA approved Contactor unit 50Hz 3-phase 525V - 550V Not CSA approved	1
90	774 90 04		Starter unit Contactor unit 60Hz 3-phase 380V - 400V CSA approved Contactor unit 60Hz 3-phase 440V - 480V CSA approved	1
92	761 04 06		Level switch EU Sensor unit DCM 711 50/60Hz 3- phase 0V - 1000V Float switch with isolated input Not CSA approved Motor cable conductor size max: 16mm ² Contactor unit 50Hz 3-phase 380V - 400V Float switch Not CSA approved	1
92	761 04 07		Level switch US/CDN Sensor unit DCM 711 50/60Hz 3- phase 0V - 1000V Float switch with isolated input CSA approved Motor cable conductor size max: 16mm ²	1
92	761 04 05		Level switch EU Contactor unit 50Hz 3-phase 200V - 208V Float switch Not CSA approved Contactor unit 50Hz 3-phase 220V - 240V Float switch Not CSA approved	1
93	84 66 53		Cable clamp STAINLESS STEEL, CR	1
95	821 49 00		Sticker	1
101	82 40 61		Plain washer 24.5X35X2-A2-70	1
102	84 37 95		Seal sleeve (10)-12 MM NBR	1
102	84 37 97		Seal sleeve (14)-16 MM NBR	1
102	84 37 96		Seal sleeve (12)-14 MM NBR	1
102	84 37 98		Seal sleeve (16)-18 MM NBR	1
102	84 37 99		Seal sleeve (18)-20 MM NBR	1
102	84 38 00		Seal sleeve (20)-22 MM NBR	1
102	84 38 01		Seal sleeve (22)-24 MM NBR	1
103	678 58 12	(Ex)	Cable clip 10-(12) MM	1
103	678 58 16	(Ex)	Cable clip 14-(16) MM	1
103	678 58 14	(Ex)	Cable clip 12-(14) MM	1
103	678 58 18	(Ex)	Cable clip 16-(18) MM	1
103	678 58 20	(Ex)	Cable clip 18-(20) MM	1
103	678 58 22	(Ex)	Cable clip 20-(22) MM	1
104	686 87 00		Entrance flange (10)-20 MM	1
105	82 00 17		Hex.socket hd screw M6X25- A2-70	2
106	82 35 73		Plain washer 6.4X12X1.6- A4-170HV	2

Pos. No	Part. No	Type	Denomination	Qty/Version
				180
107	82 00 13		Hex.socket hd screw M6X16-A2-70	1-2
108	773 47 05		Motor cable unit SUBCAB 4G1,5 10,50 - 11,50mm Max 750V	1
108	773 47 10		Motor cable unit SUBCAB 4G1,5+2x1,5 16 - 17mm Max 750V	1
108	773 47 06		Motor cable unit SUBCAB 4G2,5 12,50 - 13,50mm Max 750V	1
108	773 47 11		Motor cable unit SUBCAB 4G2,5+2x1,5 17 - 18mm Max 750V	1
108	773 47 07		Motor cable unit SUBCAB 14AWG/4 14,20 - 15,20mm Max 600V	1
108	773 47 15		Motor cable unit SUBCAB 14AWG/7 18 - 20mm Max 600V	1
108	773 47 08		Motor cable unit SUBCAB 12AWG/4 17 - 18mm Max 600V	1
108	773 47 16		Motor cable unit SUBCAB 12AWG/7 20 - 22mm Max 600V	1
108	773 47 17		Motor cable unit SUBCAB 10AWG/3-2-1-GC 20,30 - 22,30mm Max 600V	1
108	773 47 21		Motor cable unit Screened 3x2,5 13,50 - 14,90mm Max 1000V	1
108	773 47 19		Motor cable unit SUBCAB S3x2,5+3x2,5/3+S(4x0,5) 18 - 20mm Max 1000V	1
108	773 47 69		Motor cable unit SUBCAB S3x2,5+3x2,5/3+S(4x0,5) 18 - 20mm Max 1000V	1
120	83 49 43		Plug contact 3-phase 50 Hz 380V - 415V Current range: 0 - 16A Plug combined with short cable: No cable Supply connection: CEE 5-PLUG 16A	1
120	83 49 44		Plug contact 3-phase 50 Hz 380V - 415V Current range: 0 - 32A Plug combined with short cable: No cable Supply connection: CEE 5-PLUG 32A	1
120	84 06 60		Plug contact 3-phase 50 Hz 380V - 415V Current range: 0 - 32A Plug combined with short cable: No cable Supply connection: CEE 4-PLUG 32A	1
130	82 23 32		Hexagon nut M8-A4-70	4
131	82 35 16		Plain washer 8.4X16X1.6-A2-140HV	4
132	82 74 18		O-ring 129.3X5.7 NBR	1
133	774 13 00		Discharge connection 3" DN 75 Hose 3" aluminium	1
133	774 13 01		Discharge connection ISO G3" DN 75 Thread: ISO G3A Outer aluminium	1
133	774 13 04		Discharge connection VICTUALIC 3" DN 75 Thread: Victaulic groove Outer aluminium	1

Pos. No	Part. No	Type	Denomination	Qty/Version	
				180	
133	774 13 03		Discharge connection 3-8 NPT	DN 75 Thread: NPT 3-8 Outer aluminium	1
133	774 14 00		Discharge connection 4"	DN 100 Hose aluminium	1
133	774 14 01		Discharge connection ISO G4"	DN 100 Thread: ISO G4A Outer aluminium	1
133	774 14 04		Discharge connection VICTUALIC 4"	DN 100 Thread: Victaulic groove Outer aluminium	1
133	774 14 03		Discharge connection 4-8 NPT	DN 100 Thread: NPT 4-8 Outer aluminium	1
134	83 18 46		Coupling part STORZ ISO G3 89MM	DN 75 Thread: ISO G3A Outer Quick coupling: Storz diam=89 mm aluminium	1
134	83 19 34		Coupling part STORZ ISO G4 133MM	DN 100 Thread: ISO G4A Outer Quick coupling: Storz diam=133 mm aluminium	1
134	83 19 33		Coupling part STORZ ISO G4 115MM	DN 100 Thread: ISO G4A Outer Quick coupling: Storz diam=115 mm aluminium	1
135	82 37 95		Plain washer 10.5X30X2.5-A4-170HV		4
140	82 20 88		Drive screw 4X5-A2/A4		2
141	630 76 00		Plate HOT WATER PRODUCT		1
151	718 05 00		Sticker CUT HAZARD		1
800	782 44 00		O-ring kit		1
801	785 51 00		Zinc anode kit		1
815	824 35 05		Starter	Starter (Small box) DCM 711 3-phase 50 Hz 220V - 240 V Cable area max: 2,50 mm ² Bluetooth	1
815	824 35 04		Starter	Starter (Small box) DCM 711 3-phase 50 Hz 500V - 500 V Cable area max: 2,50 mm ² Bluetooth Starter (Small box) DCM 711 3-phase 60 Hz 575V - 600 V Cable area max: 2,50 mm ² Bluetooth Starter (Small box) DCM 711 3-phase 60 Hz 440V - 480 V Cable area max: 2,50 mm ² Bluetooth Starter (Small box) DCM 711 3-phase 50 Hz 380V - 400 V Cable area max: 2,50 mm ² Bluetooth Starter (Small box) DCM 711 3-phase 50 Hz 415V - 440 V Cable area max: 2,50 mm ² Bluetooth	1
815	648 36 04		Starter START 350-400-A-516-9	350 3-phase 50 Hz 380V - 415 V Current range: 6,30 - 9 A Overload supervision Phase sequence indicator Supply connection CEE 5-PLUG 16A Cable gland diameter: 10 - 20 mm Not CSA approved	1

Pos. No	Part. No	Type	Denomination	Qty/Version	
				180	
815	648 36 14		Starter START 350-400-A-532-9	350 3-phase 50 Hz 380V - 415 V Current range: 6,30 - 9 A Overload supervision Phase sequence indicator Supply connection CEE 5-PLUG 32A Cable gland diameter: 10 - 20 mm Not CSA approved	1
815	648 36 45		Starter START 350-400-A- PG-12.5	350 3-phase 50 Hz 220V - 240 V Current range: 9 - 12,50 A Overload supervision Phase sequence indicator Supply connection Terminal connection Cable gland diameter: 10 - 20 mm Not CSA approved 350 3-phase 50 Hz 415V - 440 V Current range: 9 - 12,50 A Overload supervision Phase sequence indicator Supply connection Terminal connection Cable gland diameter: 10 - 20 mm Not CSA approved	1
815	648 36 44		Starter START 350-400-A-PG-9	350 3-phase 50 Hz 380V - 400 V Current range: 6,30 - 9 A Overload supervision Phase sequence indicator Supply connection Terminal connection Cable gland diameter: 10 - 20 mm Not CSA approved	1
815	648 36 43		Starter START 350-400-A- PG-6.3	350 3-phase 50 Hz 500V - 500 V Current range: 4 - 6,30 A Overload supervision Phase sequence indicator Supply connection Terminal connection Cable gland diameter: 10 - 20 mm Not CSA approved	1
815	554 30 04		Starter START 351-400- B-516-10	351 3-phase 50 Hz 380V - 415 V Current range: 6 - 10 A Overload supervision Phase sequence indicator Supply connection CEE 5-PLUG 16A Cable gland diameter: 10 - 20 mm Not CSA approved	1
815	554 30 14		Starter START 351-400- B-532-10	351 3-phase 50 Hz 380V - 415 V Current range: 6 - 10 A Overload supervision Phase sequence indicator Supply connection CEE 5-PLUG 32A Cable gland diameter: 11 - 21 mm Not CSA approved	1
815	554 30 44		Starter START 351-400-B-PG-10	351 3-phase 50 Hz 380V - 415 V Current range: 6 - 10 A Overload supervision Phase sequence indicator Supply connection Terminal connection Cable gland diameter: 11 - 21 mm Not CSA approved	1

Pos. No	Part. No	Type	Denomination	Qty/Version	
				180	
815	554 30 73		Starter START 351-500-B-432-6.3	351 3-phase 50 Hz 500V - 500 V Current range: 4 - 6,30 A Overload supervision Phase sequence indicator Supply connection CEE 4-PLUG 32A Cable gland diameter: 11 - 21 mm Not CSA approved	1
815	554 30 53		Starter START 351-500-B-PG-6.3	351 3-phase 50 Hz 440V - 500 V Current range: 4 - 6,30 A Overload supervision Phase sequence indicator Supply connection Terminal connection Cable gland diameter: 11 - 21 mm Not CSA approved	1
815	554 30 65		Starter START 351-230-B-PG-14	351 3-phase 50 Hz 220V - 240 V Current range: 9 - 14 A Overload supervision Phase sequence indicator Supply connection Terminal connection Cable gland diameter: 11 - 21 mm Not CSA approved	1
815	554 20 07		Starter START 356-600-A-PG-25	356-A 3-phase 60 Hz 200V - 208 V Current range: 17 - 23 A Overload supervision Supply connection Terminal connection Cable gland diameter: 13 - 25 mm CSA approved	1
815	554 20 06		Starter START 356-600-A-PG-20	356-A 3-phase 60 Hz 220V - 240 V Current range: 13 - 18 A Overload supervision Supply connection Terminal connection Cable gland diameter: 13 - 25 mm CSA approved	1
815	554 20 04		Starter START 356-600-A-PG-10	356-A 3-phase 50/60 Hz 380V - 415 V Current range: 9 - 14 A Overload supervision Supply connection Terminal connection Cable gland diameter: 13 - 25 mm CSA approved 356-A 3-phase 60 Hz 440V - 480 V Current range: 6 - 10 A Overload supervision Supply connection Terminal connection Cable gland diameter: 13 - 25 mm CSA approved	1
815	554 20 03		Starter START 356-600-A-PG-6.3	356-A 3-phase 60 Hz 575V - 600 V Current range: 4 - 6 A Overload supervision Supply connection Terminal connection Cable gland diameter: 9 - 18 mm CSA approved	1
815	824 35 02		Starter	Starter (Small box) DCM 711 3- phase 50 Hz 525V - 550 V Cable area max: 2,50 mm ² Bluetooth Starter (Small box) DCM 711 3- phase 50 Hz 660V - 690 V Cable area max: 2,50 mm ² Bluetooth	1

Pos. No	Part. No	Type	Denomination	Qty/Version
				180
815	554 21 06		Starter START 356-600-B-PG-20 356-B 3-phase 60 Hz 200V - 208 V Current range: 13 - 18 A Overload supervision Supply connection Terminal connection Cable gland diameter: 13 - 25 mm CSA approved 356-B 3-phase 60 Hz 220V - 240 V Current range: 13 - 18 A Overload supervision Supply connection Terminal connection Cable gland diameter: 13 - 25 mm CSA approved	1
815	554 21 04		Starter START 356-600-B-PG-10 356-B 3-phase 60 Hz 440V - 480 V Current range: 6 - 10 A Overload supervision Supply connection Terminal connection Cable gland diameter: 13 - 25 mm CSA approved 356-B 3-phase 50/60 Hz 380V - 415 V Current range: 9 - 14 A Overload supervision Supply connection Terminal connection Cable gland diameter: 13 - 25 mm CSA approved	1
815	554 21 03		Starter START 356-600-B-PG-6.3 356-B 3-phase 60 Hz 575V - 600 V Current range: 4 - 6 A Overload supervision Supply connection Terminal connection Cable gland diameter: 13 - 25 mm CSA approved	1
815	824 35 07		Starter Starter (Small box) DCM 711 3-phase 60 Hz 200V - 208 V Cable area max: 6 mm ² Bluetooth Starter (Small box) DCM 711 3-phase 60 Hz 220V - 240 V Cable area max: 6 mm ² Bluetooth	1
815	554 25 04		Starter BCD4-400-B-516-8.0 BCD 4 3-phase 50 Hz 380V - 415 V Current range: 5,50 - 8 A Overload supervision Phase sequence indicator Supply connection CEE 5-PLUG 16A Cable gland diameter: 13 - 18 mm Not CSA approved	1
815	554 25 14		Starter BCD4-400-B-532-8.0 BCD 4 3-phase 50 Hz 380V - 415 V Current range: 5,50 - 8 A Overload supervision Phase sequence indicator Supply connection CEE 5-PLUG 32A Cable gland diameter: 13 - 18 mm Not CSA approved	1
815	554 25 44		Starter BCD4-400-P-PG-8.0 BCD 4 3-phase 50 Hz 380V - 415 V Current range: 5,50 - 8 A Overload supervision Phase sequence indicator Supply connection Terminal connection Cable gland diameter: 13 - 18 mm Not CSA approved	1

Pos. No	Part. No	Type	Denomination	Qty/Version
				180
815	824 35 06		Starter Starter (Small box) DCM 711 3-phase 60 Hz 380V - 400 V Cable area max: 6 mm2 Bluetooth	1
815	824 35 15		Starter Starter (Small box) DCM 711 3-phase 50 Hz 220V - 240 V Cable area max: 2,50 mm2 Bluetooth WiFi	1
815	824 35 14		Starter Starter (Small box) DCM 711 3-phase 50 Hz 415V - 440 V Cable area max: 2,50 mm2 Bluetooth WiFi Starter (Small box) DCM 711 3-phase 60 Hz 440V - 480 V Cable area max: 2,50 mm2 Bluetooth WiFi Starter (Small box) DCM 711 3-phase 50 Hz 380V - 400 V Cable area max: 2,50 mm2 Bluetooth WiFi Starter (Small box) DCM 711 3-phase 50 Hz 500V - 500 V Cable area max: 2,50 mm2 Bluetooth WiFi Starter (Small box) DCM 711 3-phase 60 Hz 575V - 600 V Cable area max: 2,50 mm2 Bluetooth WiFi	1
815	824 35 12		Starter Starter (Small box) DCM 711 3-phase 50 Hz 525V - 550 V Cable area max: 2,50 mm2 Bluetooth WiFi Starter (Small box) DCM 711 3-phase 50 Hz 660V - 690 V Cable area max: 2,50 mm2 Bluetooth WiFi	1
815	824 35 17		Starter Starter (Small box) DCM 711 3-phase 60 Hz 220V - 240 V Cable area max: 6 mm2 Bluetooth WiFi Starter (Small box) DCM 711 3-phase 60 Hz 200V - 208 V Cable area max: 6 mm2 Bluetooth WiFi	1
815	824 35 16		Starter Starter (Small box) DCM 711 3-phase 60 Hz 380V - 400 V Cable area max: 6 mm2 Bluetooth WiFi	1
816	736 64 00		Wear part kit HT 50HZ	1
816	736 64 01		Wear part kit HT 60HZ	1
816	736 64 02		Wear part kit MT 50HZ	1
816	736 64 03		Wear part kit MT 60HZ	1
817	736 66 00		Hydraulic repair kit HT	1
817	736 66 01		Hydraulic repair kit MT	1
817	736 66 04		Hydraulic repair kit	1
817	736 66 05		Hydraulic repair kit	1
817	736 66 06		Hydraulic repair kit	1

3 Spare Parts

Pos. No	Part. No	Type	Denomination	Qty/Version
				180
817	736 66 07		Hydraulic repair kit	1
900	782 81 11		Basic repair kit	1



ООО «Бауманс Груп» - официальный партнер фирмы Flygt в России.

Тел: +7 495 121 49 50

Эл. почта: info@baumgroup.ru

Сайт: www.baumgroup.ru